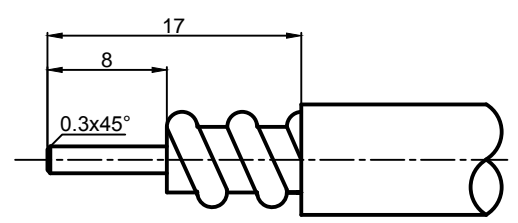
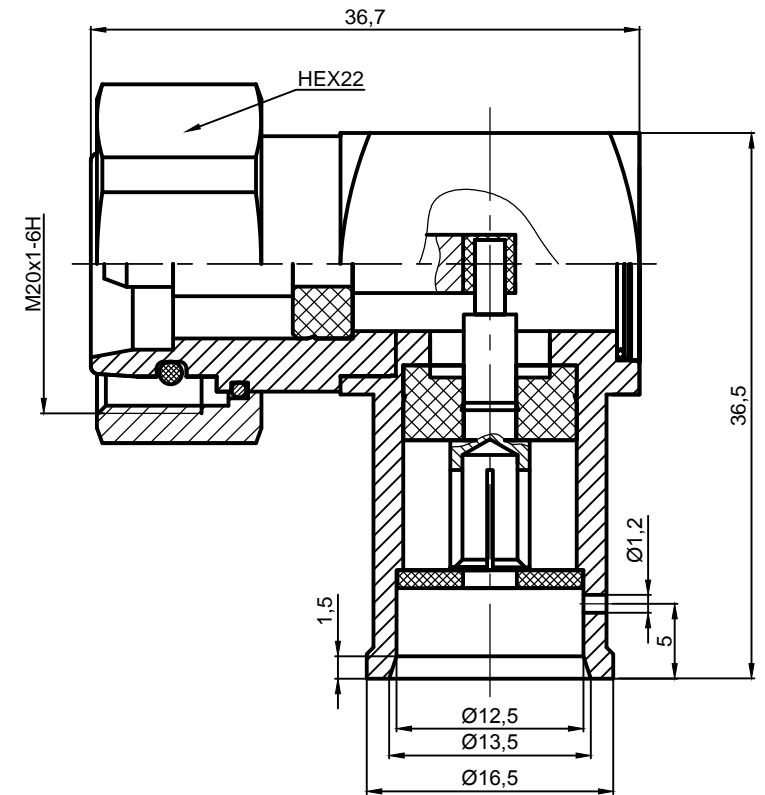
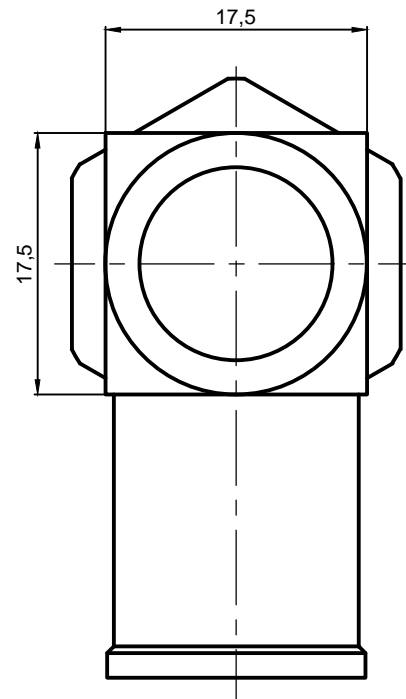


RevNo	Revision note	Date	Signature	Checked
00	Sketch Only	10/02/2019		



Material & Finishing:

- Center conductor: Brass, Silver Plating
Phosphor Bronze, Silver Plating

- Insulator: PTFE
- Body : Brass, Ternary Alloy Plating
- Other Metal Parts: Brass, Nickel Plating
- Gasket: Silicone Rubber

Electrical Data:

- Impedance: 50 Ω
- Frequency: 0~6 GHz
- VSWR: 1.2(0-3GHz)
- PIM: ≤160dBC

RoHS Compliant.

ALL DIMENSIONS ARE IN MILLIMETERS AND [INCHES] Unit:mm



Title
4.3/1.0 RA MALE 1/2S CABLE

THESE DRAWING & SPEC. ARE THE PROPERTY OF Raynool AND SHALL NOT BE REPRODUCED, OR COPIED OR USED AS THE BASIS FOR THE MANUFACTURE OR SALE OF APPARATUS OR DEVICES WITHOUT THEIR EXPRESS WRITTEN CONSENT.

Drawn by	Ckd by	Appd by	Date 10/022019
----------	--------	---------	-------------------

Scale 2:1	Sheet 1 of 1
--------------	--------------

UNLESS OTHERWISE NOTED ALL SURFACES FINISHED TO 64/ MAX.		
ALL TOLERANCES ARE:		
DECIMALS x ± 1.0 x.x ± 0.5	FRACTIONS ±1/64 x.xx ± 0.1	ANGLES x' ± 1" x'x' ± 0.5"